



Far East Noble Sdn Bhd (371923-T)

13 (1st Floor), Persiaran Mahsuri 1/1, Sunway Tunas, 11900 Penang, Malaysia.

Tel: 604-646 1688 Fax: 604-644 1501

Email: fe_noble@yahoo.com Website: www.databitz.com

IR Encoder & IR Decoder

Introduction

IR encoder is remote control device paired with IR decoder utilizing infrared signal transmission. It encodes the data either from the button or from the microcontroller, with the address code into a serial coded waveform sending through IR modulation. IR decoder receives the IR signal using the IR receiver module, and decodes it back to data and address.

Features

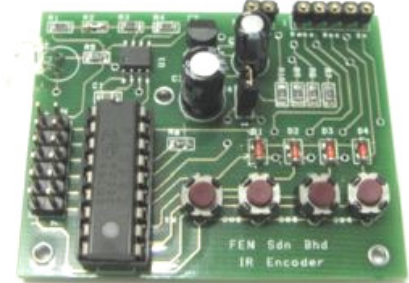
- 4 Data pins
- 64 address code
- Built-in remote control button (IR encoder)
- Built-in LED indicator for incoming data (IR decoder)
- Easy to interface with microcontroller

Applications

- Remote Control System
- Data Transmission
- Robotics

Technical Specifications

- Rated Voltage 5-15 vdc
- Rated Current 1A
- Distance: 5-10 Meters



IR Encoder



IR Decoder



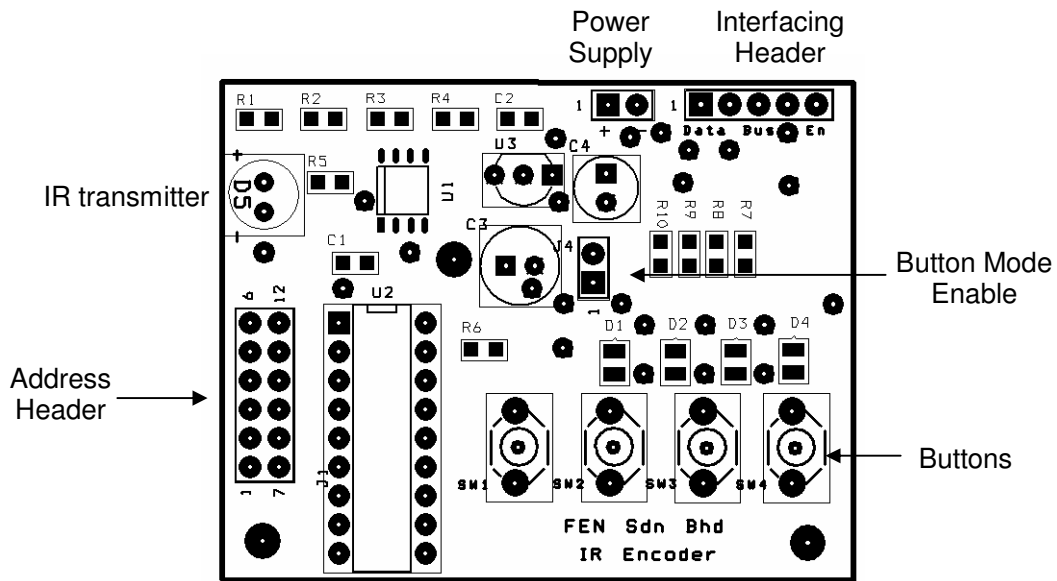
Far East Noble Sdn Bhd (371923-T)

13 (1st Floor), Persiaran Mahsuri 1/1, Sunway Tunas, 11900 Penang, Malaysia.

Tel: 604-646 1688 Fax: 604-644 1501

Email: fe_noble@yahoo.com Website: www.databitz.com

IR Encoder Layout (5.5cm x 4.4cm)



Address Header

6 bits address, connect pin 1 and 7 to set high for address bit0 by using jumper. Pin2 and 8 for address bit1 and so on.

Power Supply

+ for 5-12v and – for ground.

Button Mode Enable

Connect it for button control mode.

Interfacing Header

Pin1-4 is data pins, Pin 5 is for enable pin for transmit.



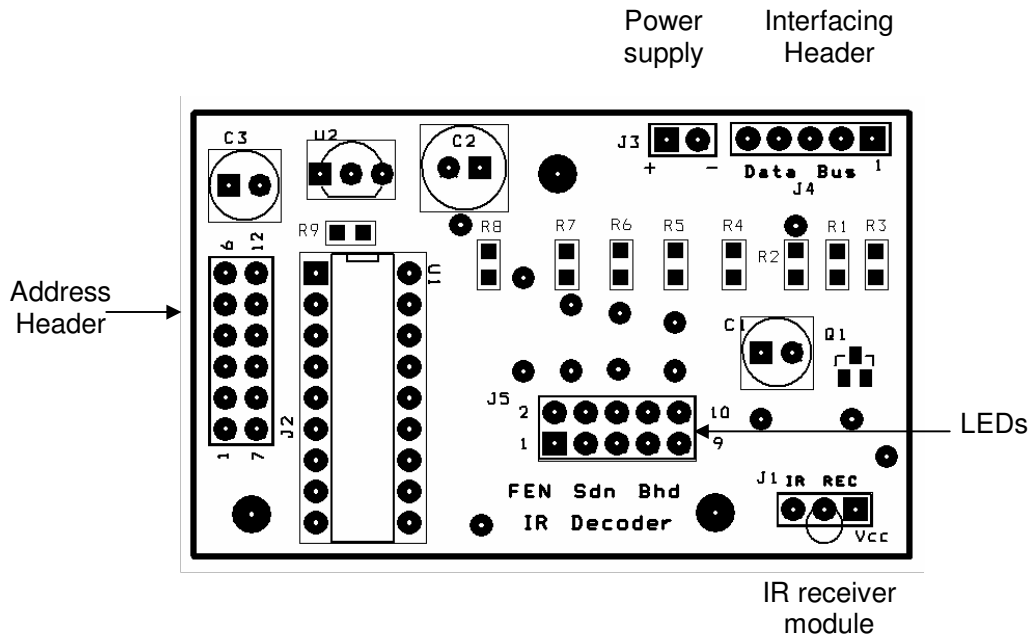
Far East Noble Sdn Bhd (371923-T)

13 (1st Floor), Persiaran Mahsuri 1/1, Sunway Tunas, 11900 Penang, Malaysia.

Tel: 604-646 1688 Fax: 604-644 1501

Email: fe_noble@yahoo.com Website: www.databitz.com

IR Decoder Layout (5.8cm x 3.5cm)



Address Header

6 bits address, connect pin 1 and 7 to set high for address bit0 by using jumper. Pin2 and 8 for address bit1 and so on.

Power Supply

+ for 5-12v and – for ground.

Interfacing Header

Pin1-4 are data pins, pin 5 is set to high when received data is valid.

LED

there are 5 indicators for valid transmission, and 4 data bits.